

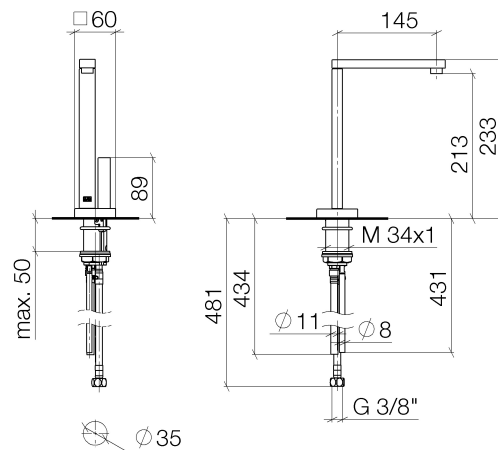


Product specifications

• **5-3/4" Projection**

- rigid, thermally insulated outlet
- Laminar stream
- Total height 9-1/8"
- 7-1/8" height to aerator/spout outlet
- 1-3/8" hole diameter
- Provides filtered, hot water, 199°F max. temperature
- Provides filtered, cold water (not chilled)
- Water flow rate limited to max. 0.5 gpm
- control unit for wall assembly (5-3/8" x 6-1/4" x 2-3/8")
- electronic valve
- plug-in power supply, 100-230 V, 50-60 Hz, 18 W, incl. country-specific adaptor set
- low lead compliant
- One lever for hot and cold water

(ADA)





Compatible with Insinkerator® hot water tank HWT-F1000S. Tank and filter not supplied from Dornbracht. More information on tank and filter at www.insinkerator.com.

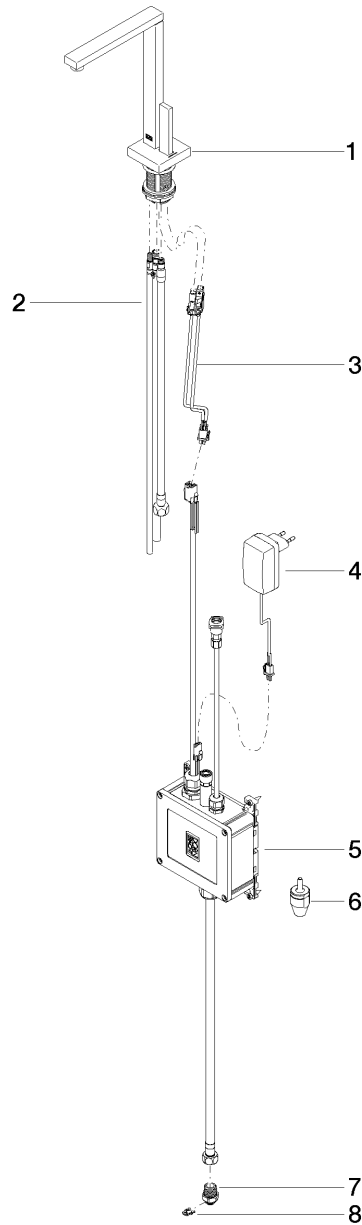
We recommend replacing the filter cartridge every six months. Please see the installation manual for more information.

All Professional information and detailed notes regarding planning can be found at www.dornbracht.com

Surfaces

- chrome 17861680-00
- matt platinum 17861680-06

Exploded assembly drawing



Kitchen

Water Dispenser HOT & COLD WATER DISPENSER

Article number: 17861680



Order quantity

| No. | Article number | Name | Installation quantity |
|------------|-----------------------|------------------------|------------------------------|
| 1 | 90178510003ff | fitting | 1 |
| 2 | 9030040670090 | hose | 1 |
| 3 | 9010010480090 | electronic accessories | 1 |
| 4 | 0410010500090 | electronic accessories | 1 |
| 5 | 0411110640090 | electronic accessories | 1 |
| 6 | 9024042910090 | insert | 1 |
| 7 | 09240429390 | nipple | 1 |
| 8 | 09160104590 | ring | 1 |

Flow rate chart

